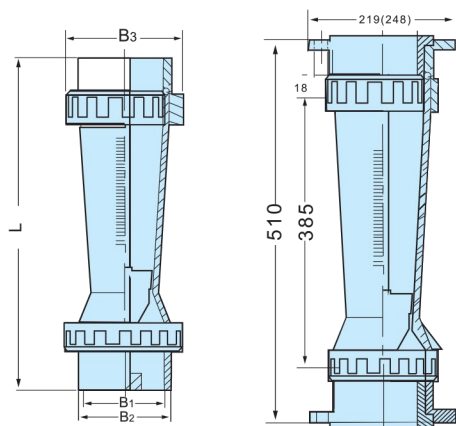


LZS series main parts:tube SAN,float ABS, glue fittings PVC,male thread PA6,female thread PA66

- Working pressure limited: ≤0.6MPa
- Working temperature limited : 0-60°C
- Accuracy: ±5%

Specifications

DN (mm)	Model	Measure range m³/h	Glue	Male	Female	Elbow
15	LZS-15	10~100 L/h 16~160 L/h 25~250 L/h 40~400L/h 60~600 L/h 100~1000 L/h	Ø20	1/2"NPT 3/4"NPT	BSP 1/2"	BSP 1/2" NPT 1/2"
25	LZS-25	0.1~1 0.16~1.6 0.25~2.5	Ø32	3/4"NPT	BSP 3/4" NPT3/4"	BSP 3/4" NPT 3/4"
32	LZS-32	0.4~4 0.6~6	Ø40	1"NPT	BSP 1" NPT1"	BSP1" NPT1"
50	LZS-50	0.4~4 0.6~6 1~10 1.6~16	Ø63	2"NPT	BSP 2" NPT 2"	BSP 2" NPT 2"
65	LZS-65	5~25 8~40 12~60	Ø75	/	NPT 2½"	/
100	LZS-100 flange	12~60 18~90 20~120	Ø110	Hole distance 1180mm 8-Ø18		
125	LZS-125 flange	25~150 30~180	Ø110	Hole distance 1210mm 8-Ø18		
150	LZS-150 flange	12~60 18~90 20~120 25~150 30~180	Ø110	Hole distance 1240mm 8-Ø22		



DN: 15~65

DN: 100(125)

Sizes

DN(mm)	(mm)			
	L	B1	B2	B3
15	220	20	26	51
25	230	32	39	60
32	290	40	49	72
50	350	63	73	98
65	420	75	88	122
100	547	Hole distance 180mm		8-Ø18
125	547	Hole distance 1210mm		8-Ø18
150	547	Hole distance 1 240mm		8-Ø22